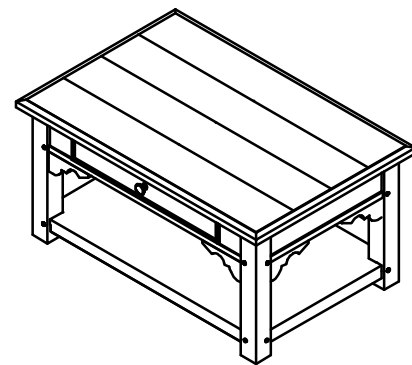


### Warning :

- Be sure to check all packing material carefully for small parts, which may have come loose inside the carton during shipment.
- To prevent possible scratches and damage, this furniture **MUST BE ASSEMBLED BY TWO PEOPLE** on a soft surface such as a blanket or carpet.

**Important Use Information:** We recommend using coasters, placemats and trivets when placing hot or cold containers on this item. It is also recommended to quickly cleanup any spills to minimize exposure to moisture. Doing so will prolong the life and look of the item for many years.

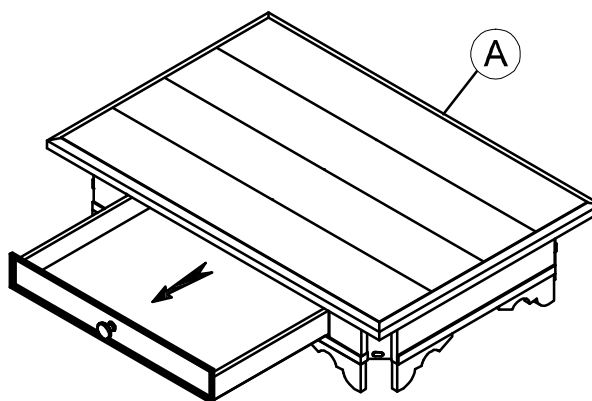


17201  
Small Cocktail Table

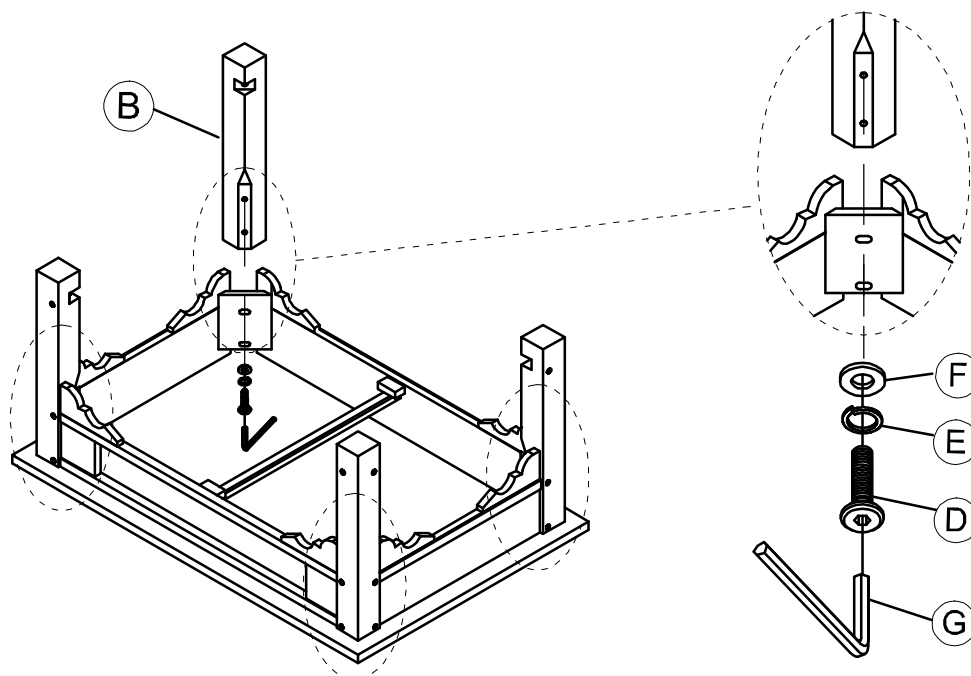
### Components and Hardware List

Top Assembly	Leg	Bottom Panel	Allen Head Bolt Ø1/4" - 20 x 2"	Spring Washer Ø1/4"	Flat Washer Ø1/4" x 3/4"	Allen Key 4 mm	Allen Wrench 13mm
1 pc.	4 pcs.	1 pc.	12 pcs.	12 pcs.	12 pcs.	1 pc.	1 pc.

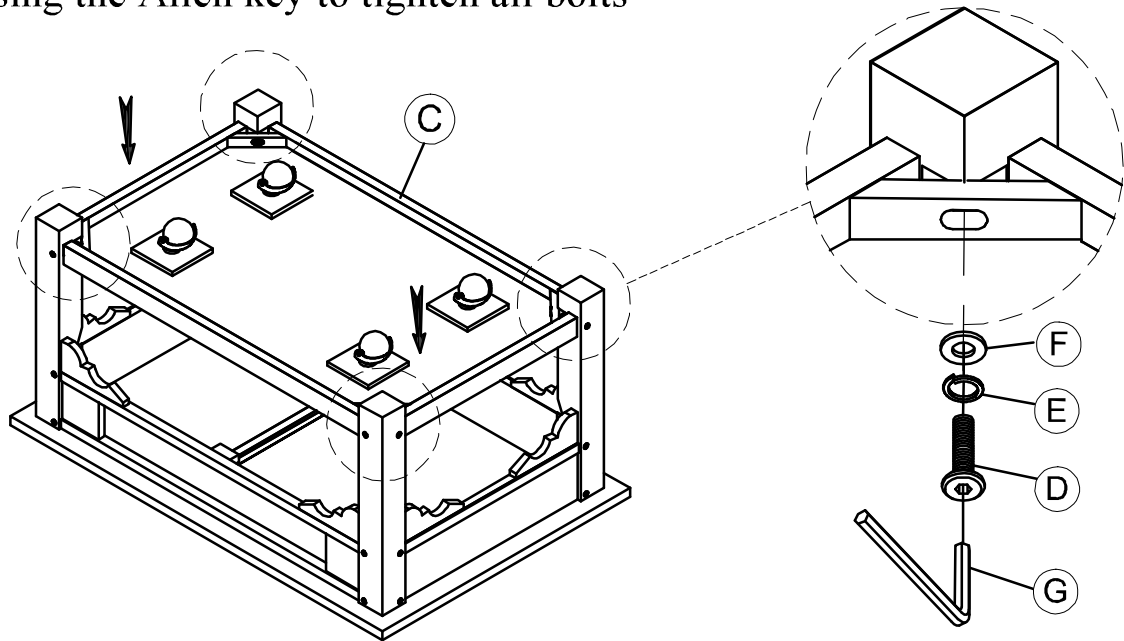
### Step 1 : Remove Drawer



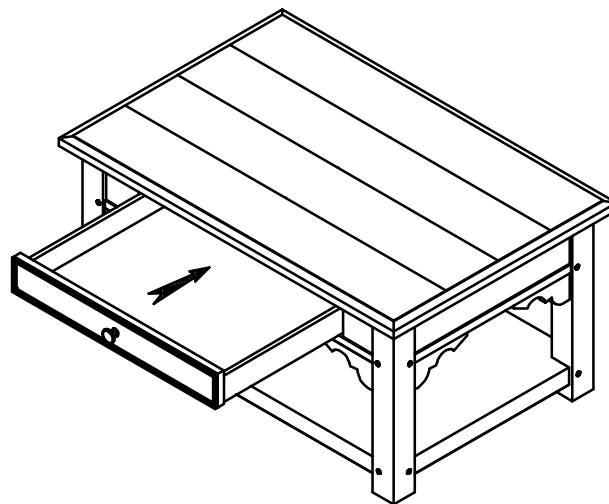
### Step 2 : Do not fully tighten the bolts



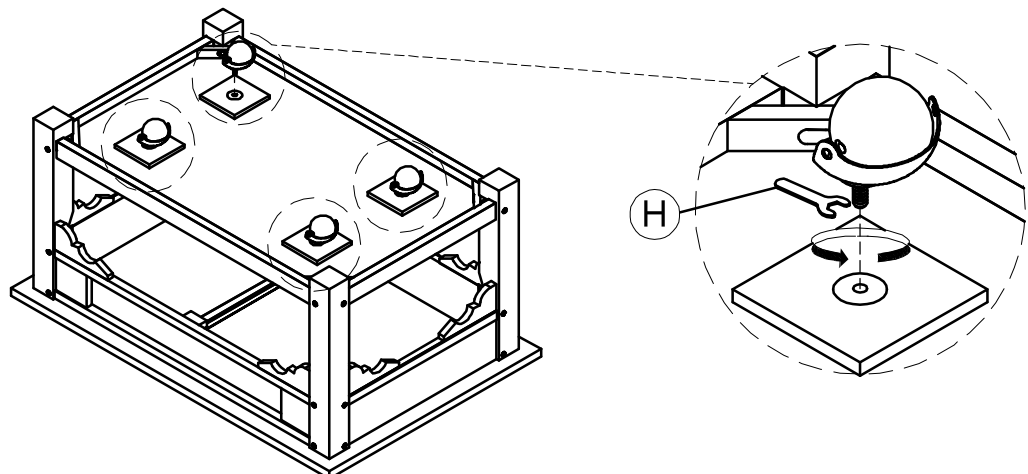
Step 3 : Using the Allen key to tighten all bolts



Step 4 : Attach Drawer



Note : Use Allen Wrench (H) to remove the casters if you don't want to use.



The casters provide an element of convenient mobility, however, to prevent possible damage to some types of flooring, never roll casters on unprotected hardwood or vinyl flooring.